

Swing C

Swing C Widespread Faucet with Lever Handles, 1.2 GPM

Finishes : **chrome** Part no. : **06117000**



Description

Features

- Solid brass
- Aerated spray
- Flow: 1.2 GPM
- 90° ceramic valves
- Includes pop-up assembly

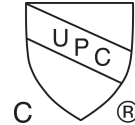
Item details

List Price \$ 530.00

Technology



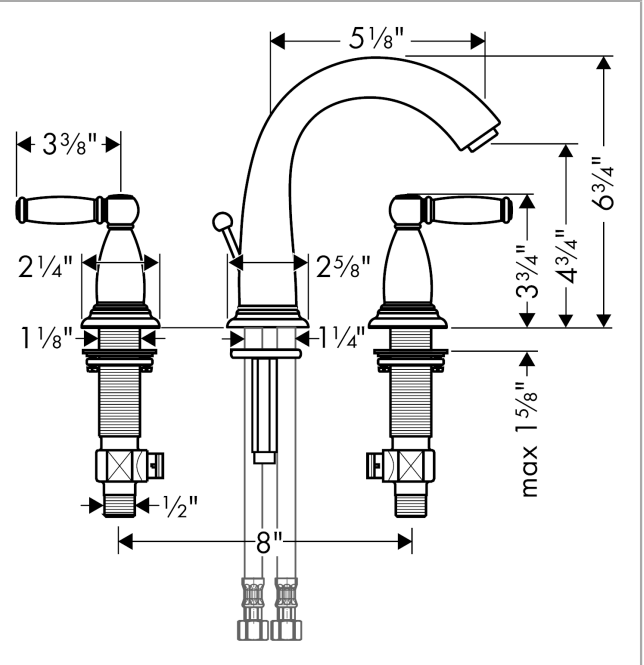
Compliance



Product image



Scale drawing

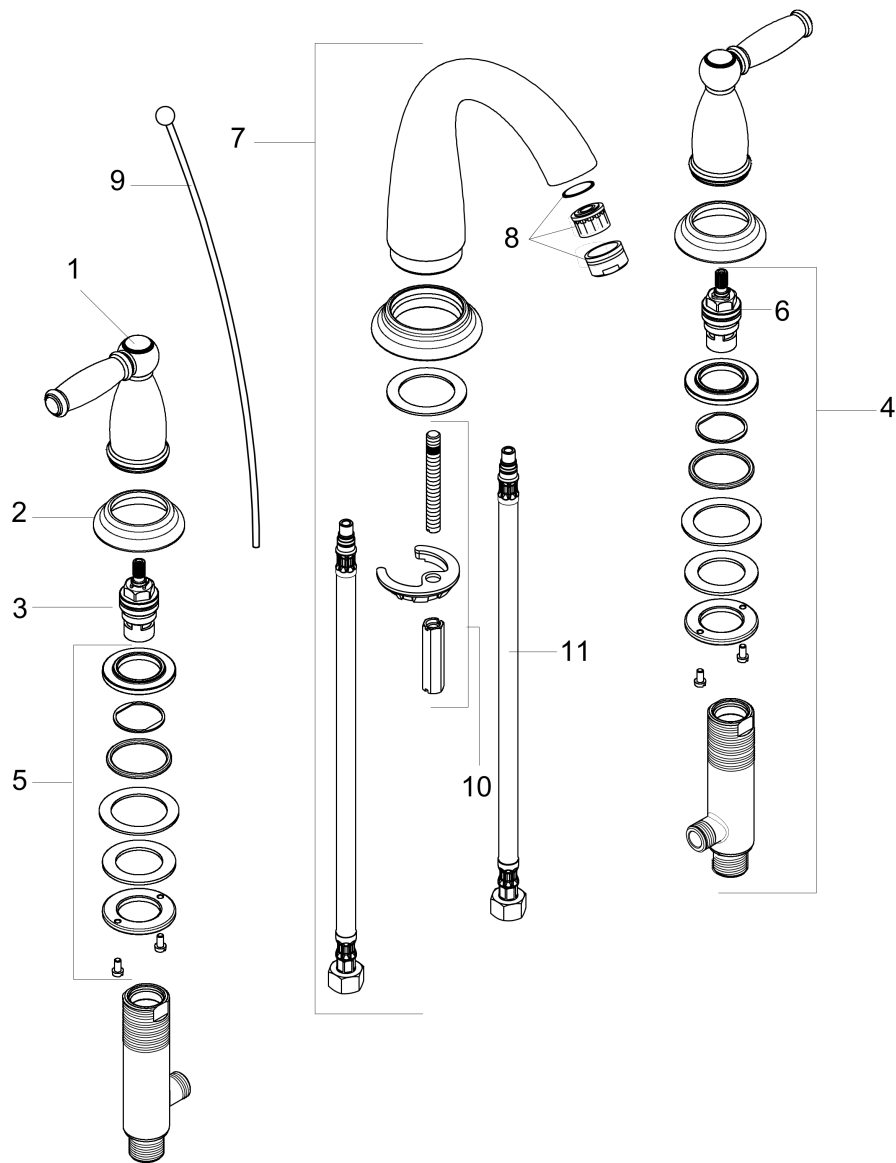


Swing C
Swing C Widespread Faucet with Lever Handles, 1.2 GPM
Finishes : **chrome** Part no. : **06117000**



Exploded drawing

Year of production: >07/16



Swing C

Swing C Widespread Faucet with Lever Handles, 1.2 GPM

Finishes : **chrome** Part no. : **06117000**



Spare parts list

Year of production: >07/16

Pos.	Description	Part no.	Price	PU
1	handle	88612000	-	1
2	escutcheon	88600000	-	1
3	shut off unit right closing	94009000	-	1
4	valve	88503000	-	1
5	fixing set for shut off unit	88511000	-	1
6	shut off unit left closing	94008000	-	1
7	spout cpl.	88603000	-	1
8	aerator M24x1 (4,5 l/min)	92877000	-	1
9	pull rod	88541000	-	1
10	fixing set	88508000	-	1
11	connection hose 450 mm	88596000	-	1
a	pop up waste	88509000	-	1